

HIGH PRECISION GNSS ANTENNA FOR SURVEYING APPLICATIONS

Product Description

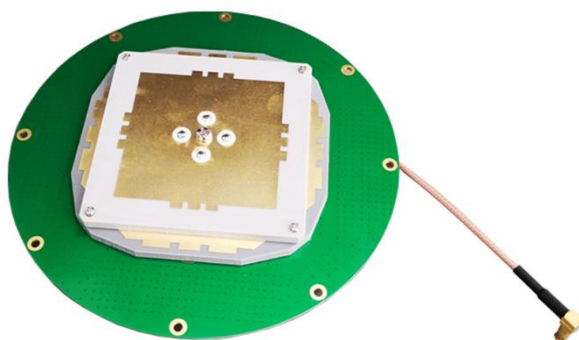
MG3850A is a built-in measurement antenna , with high gain, high sensitivity, multi-system compatibility and high reliability, which can effectively meet the needs of users.

Application Field

The antenna can be used with a variety of satellite navigation receivers, and is widely used in fields such as geodetic surveying and mapping, channel surveying and mapping, precision agriculture and marine surveying, and can also be selected for use in the military field according to application conditions.

KEY FEATURES

- Supports BD B1/B2/B3,GPS L1/L2,GLONASS L1/L2 signal reception
- Adopts multi-feed point design, ensures the performance of right-hand circular polarization and phase center, reduces the influence of measurement error.
- High gain, miniaturization, high sensitivity
- Environmental protection no halogen, meet ROHS



GEODETIC ANTENNA MG3850A



PERFORMANCE

Signal Received	
GPS	L1/L2/L5
GLONASS	L1/L2
BD	B1/B2/B3
VSWR	≤3.0
Maximum Gain	5.5dBi
Antenna AR	≤3.0dB
Phase Center Error	±2mm
Polarization	RHCP
Port Impedance	50Ω
LNA Gain	40±2dB

Band Flatness	±2dB
Noise Figure	≤2.0dB
Operation Voltage	3.3-15 VDC
Operation Current	≤40mA

MECHANICAL

Dimensions	Φ140.5x16.2mm
Connector	lengthenMCX-JW
GNSS	lengthenMCX-JW

ENVIRONMENTAL

Temperature	
Operating	-40°C to +85°C
Storage	-55°C to +85°C
Humidity	95% non-condensing

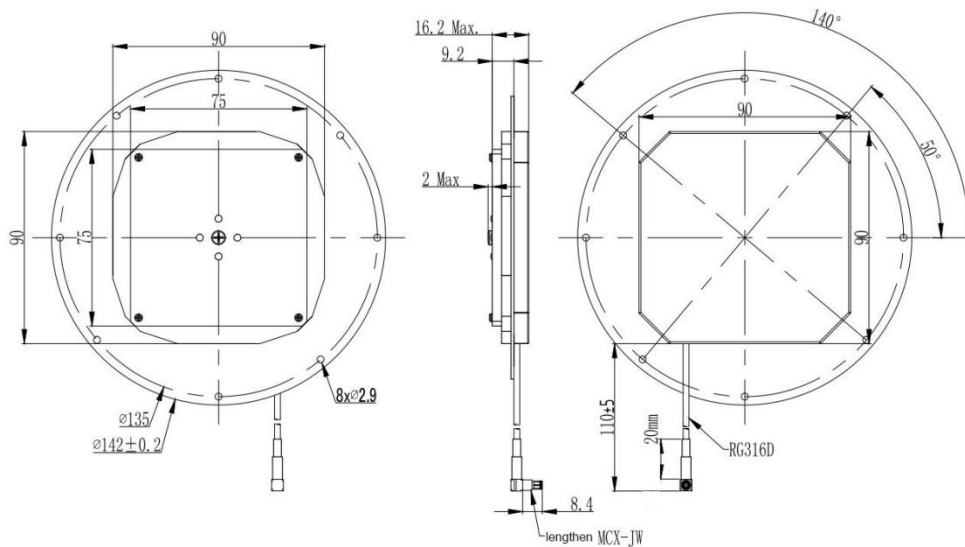
Guangdong MIDE Communication
Technology CO.,Ltd.

www.mide-act.com
sales@mide-act.com

Room 405, Building 7, NO.1 XueFu
Road , Songshan Lake District ,
Dongguan City, Guangdong Province,
China.

Tel: +86-0769-23329096
Fax: +86-0769-23329020

Structure & Phase Center Drawing (mm)



Undeclared tolerance: ±0.3mm